

Description

CDWDM is developed for DWDM system by Browave's free space WDM component technique with 100GHz DWDM thin film filters. The CDWDM is designed to compact size with unilateral fiber outlet and contain up to 12 channels with one upgrade port.

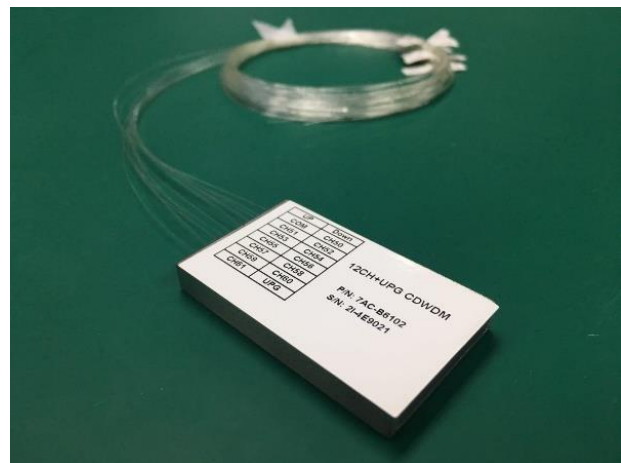
Browave's CDWDM features low insertion loss, compact size and consistent performance. The CDWDM is epoxy-free in the optical path and is in compliance with RoHS 6/6 and GR-1221-CORE.

Features

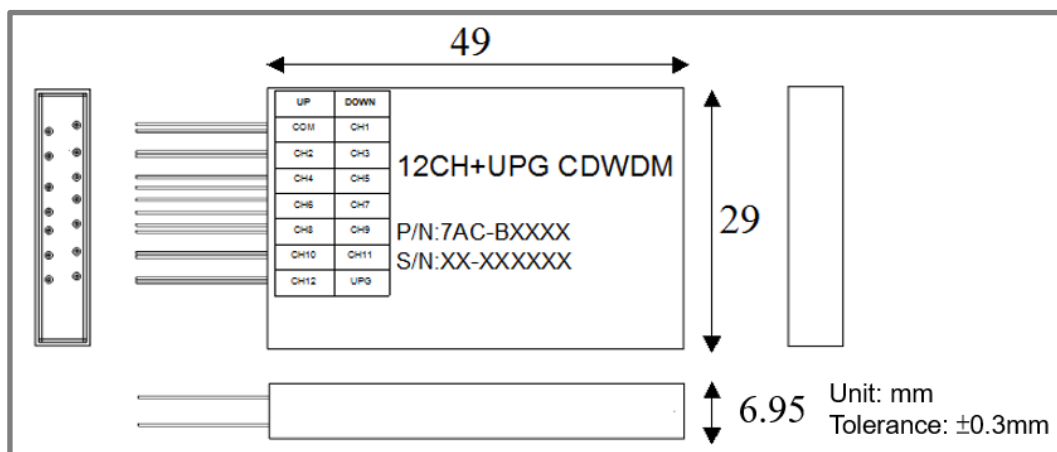
- ▶ Low Insertion Loss
- ▶ Compact size
- ▶ Wide operating temperature range
- ▶ RoHS and GR-1221 compliant

Application

- ▶ DWDM System



Dimension



Specification

Parameter		Unit		Specification
Channel Spacing		GHz		100
Operating Wavelength Range		nm		1520~1610
Center Wavelength (CWL)		nm		Any C-band & L-band channel
Channel Passband		GHz		ITU±15
Insertion Loss	Channel Port	Max.	dB	1.5
	Upgrade Port	Max.	dB	1.5
Isolation	Adjacent	Min.	dB	30
	Non-adjacent	Min.	dB	40
Passband Ripple		Max.	dB	0.5
Polarization Depend Loss		Max.	dB	0.5
Return Loss		Min.	dB	45
Directivity		Min.	dB	55
Operating Temperature Range		°C		-40 to +85
Dimension		mm		49x29x6.95
Fiber Type		--		G.657 A1 Compliance 250um bare fiber