

Ultra-Low WDL Fused Single Window Couple

Tap Coupler (C, L Band)

DESCRIPTION

Browave (1x2 and 2x2) coupler series feature exceptionally low wavelength dependent loss on both signal and tap ports as well as excellent temperature and excess loss.

These high performance regular parts are available in a wide variety of tap ratio, housing and connector options and can therefore be readily specified in a wide variety application.

Reliability is guaranteed through extensive Telcordia GR-1221 testing

FEATURES

- ↓ Wavelength Independent
- ↓ Low Insertion Loss and WDL
- ↓ Bellcore compliant

APPLICATIONS

- ↓ Signal monitoring in EDFA
- ↓ CATV
- ↓ Local Area Networks
- ↓ FTTH
- ↓ Testing Instruments

SPECIFICATIONS

Parameter	C band	L band
Wavelength Range	1530~1565	1570~1605
Insertion loss ¹ :	See Performance Conversion Chart	
Return loss	55 dB	
Directivity	55 dB	
Temperature dependent loss ² :	Signal Path:0.02~0.10dB, Tap Path:0.10~0.20dB	
Operating temperature range ³ :	-40 to 75 °C	
Storage temperature range	-40 to 85 °C	
Fiber type	Corning SMF-28 or Equivalent	
Package Dimension ⁴ :	3S:250µm cladding fiber	(Φ) 3.0 x (L) 54 mm
	6L:900µm loose tube	(Φ) 3.0 x (L) 65 mm
	7H:3mm cable	(L) 95 x(W) 12 x(H)10 mm

1.Values are referenced without connector loss

2.Change in insertion loss from -5 to 75°C. Values are depended on coupling ratio, for 1/99 coupler Temperature Dependent Loss (TDL)~0.02/0.20dB. As tap ratio increase, TDL decreases for tap path, while increases for signal path. All TDL is specified from -5 to 75°C

3.Operating temperature range changes to -5 to 75°C in 6L,7H package and all package without connectors

4.The mechanical tolerance should be ±0.2 mm on all package dimensions unless otherwise custom specified



3F, No.30, Industrial E. Rd. IX, Science-Based Industrial
Park, 300 Hsin Chu, Taiwan R.O.C.
Tel:+886-3-563-0099 Fax:+886-3-563-0022 886-3-5789243



PERFORMANCE CONVERSION CHART

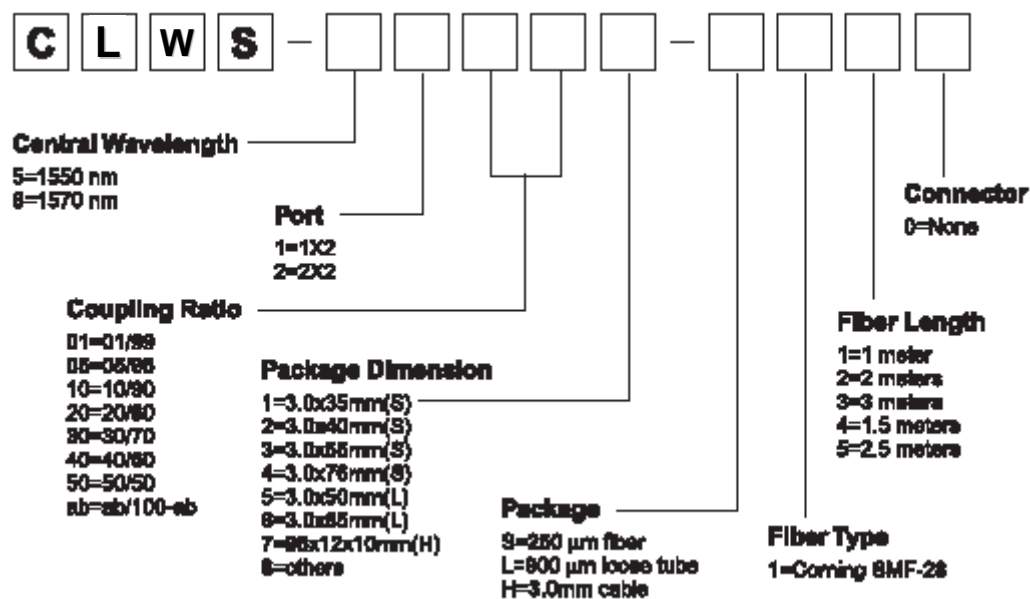
Coupling Ratio	IL ¹ (dB)		WDL ² (dB)		PDL ³ (dB)	
	Through	Tap	Through	Tap	Through	Tap
1/99	0.15	19.0~20.5	0.05	0.05	0.1	0.2
2/98	0.18	16.8~17.6	0.05	0.05	0.1	0.2
5/95	0.35	12.7~13.5	0.05	0.05	0.1	0.2
10/90	0.55	9.7~10.5	0.05	0.08	0.1	0.2
20/80	1.15	6.60~7.50	0.08	0.08	0.1	0.15
40/60	2.5	3.85~4.40	0.08	0.08	0.15	0.15
50/50	2.80~3.20	2.80~3.20	0.08	0.08	0.15	0.15

1. Insertion loss over operating wavelength range at ~23°C (excluding PDL and TDL)

2. Insertion loss change over the specified wavelength range.

3. Insertion loss change over the all input polarization states.

ORDERING INFORMATION



3F, No.30, Industrial E. Rd. IX, Science-Based Industrial
Park, 300 Hsin Chu, Taiwan R.O.C.
Tel:+886-3-563-0099 Fax:+886-3-563-0022 886-3-5789243

