

Single Mode Wavelength Division Multiplexer

980,1310 nm/ C or L Band
1480 nm/ S, C or L Band

DESCRIPTION

Browave provides high quality tape-fused, all-fiber WDMs that separate or combine two different wavelengths . Operating wavelengths are 1310/1550nm,1480/1550nm and 980/1550nm. L band WDMs, eg:1310/1625,1480/1590,980/1590, are also available.

FEATURES

- ↓ Low insertion loss
- ↓ Low excess loss
- ↓ Low PDL
- ↓ Environmentally stable and reliable
- ↓ Bellcore Compliant

SPECIFICATIONS

| Parameter | Specification | | | | | |
|-------------------------------------|---------------|------|---------------|------|------------|-----|
| | 1310 ± 15nm | | 980 ± 10nm | | 1480 ± 5nm | |
| Operating Wavelength | 1310 ± 15nm | | 980 ± 10nm | | 1480 ± 5nm | |
| Grade | P | A | P | A | P | A |
| Maximum Insertion Loss* | 0.2 | 0.3 | 0.1 | 0.2 | 0.2 | 0.3 |
| Minimum Isolation | 18 | 17 | 20 | 19 | 16 | 14 |
| Maximum Polarization Dependent Loss | 0.03 | 0.05 | 0.03 | 0.05 | 0.06 | 0.1 |
| Minimum Directivity | 55 dB | | | | | |
| Maximum Thermal Stability | 0.1dB | | | | | |
| Minimum Return Loss | 50 dB | | | | | |
| Operating Temperature | -20°C ~ 75°C | | | | | |
| Storage Temperature | -40°C ~ 85°C | | | | | |
| Package Dimensions* | 2S,3S,5L,6H,7 | | 2S,3S,5L,6H,7 | | 3S,5L,6H,7 | |

*Insertion loss of connector is not included

*Dimension refer to ordering information

APPLICATIONS

- ↓ CATV
- ↓ Telecommunication
- ↓ FTTH
- ↓ Local area networks
- ↓ Subscriber loop
- ↓ Test equipment
- ↓ EDFA



3F, No.30, Industrial E. Rd. IX, Science-Based Industrial
Park, 300 Hsin Chu, Taiwan R.O.C.
Tel:+886-3-563-0099 Fax:+886-3-563-0022 886-3-5789243

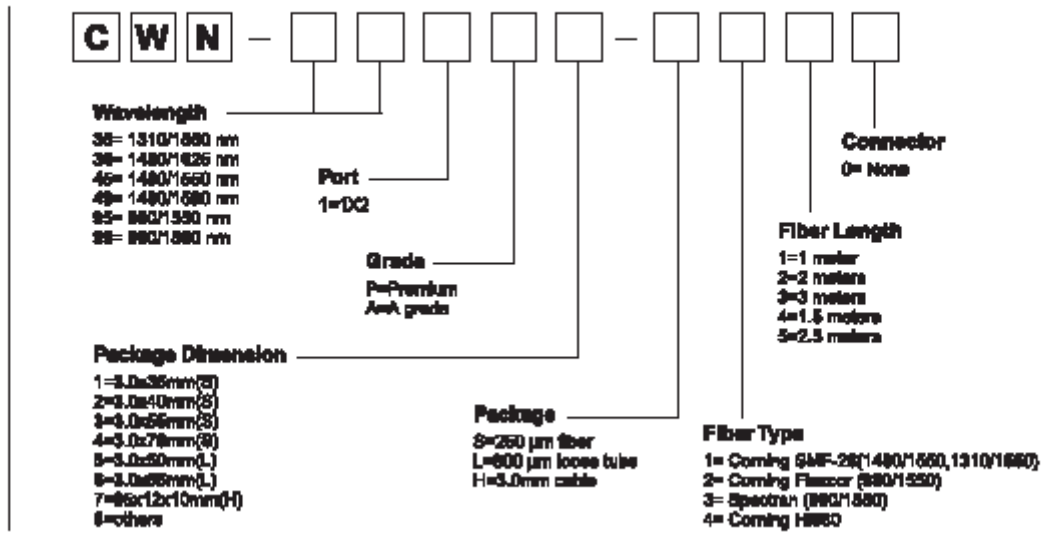


QUALIFICATION AND RELIABILITY TEST

| Type of Test | Conditions | Duration |
|--------------------------|--------------------------|-----------------------------|
| Damp Heat | 50 °C and 90% RH | 2000 hours |
| High Temperature Storage | 85 °C (±2 °C) | 2000 hours |
| Low Temperature Storage | -40 °C | 2000 hours |
| Water Immersion | 43 ± 2 °C, PH 5.5 ± 0.5 | 168 hours |
| Vibration | 10~2,000 Hz random , 20G | 3 axes , for 2 hrs per axis |
| Side Pull | 450g load 90° active | during and after |
| Impact | 1.8 meter high | 8 drops |
| Cable Retention | 0.45 kg load | 1 min |

ORDERING INFORMATION

ORDERING INFORMATION



3F, No.30, Industrial E. Rd. IX, Science-Based Industrial
 Park, 300 Hsin Chu, Taiwan R.O.C.
 Tel:+886-3-563-0099 Fax:+886-3-563-0022 886-3-5789243

