

# Heter-Fused Wavelength Division Multiplexer

## 980/1550, 980/1600

### DESCRIPTION

Browave provides high quality tape-fused, all-fiber WDMs that separate or combine two different wavelengths. Heter-Fused WDM is made of two kinds of fiber, SMF-28 and 980 fiber. Due to the good core-matched with components of EDFA module, this product is excellent to be integrated into EDFA Modules

### FEATURES

- ↓ Low insertion loss
- ↓ Low excess loss
- ↓ Low PDL
- ↓ Environmentally stable and reliable
- ↓ Bellcore Compliant

### APPLICATIONS

- ↓ CATV
- ↓ Telecommunication
- ↓ FTTH
- ↓ Local area networks
- ↓ Subscriber loop
- ↓ Test equipment
- ↓ EDFA

### SPECIFICATIONS

Parameter	Premium grade			
	C - Band		L - Band	
Operating Wavelength (nm)	980 ± 5	1545 ± 15	980 ± 5	1595 ± 15
Maximum Insertion Loss*	0.15 dB	0.2 dB	0.15 dB	0.2 dB
Minimum Isolation	19 dB	20 dB	19 dB	20 dB
Maximum Polarization Dependent Loss	0.03 dB			
Minimum Directivity	55 dB			
Maximum Thermal Stability	0.1 dB			
Minimum Return Loss	55 dB			
Operating Temperature	-20°C ~ 75°C			
Package Dimensions*	3S ,6L,7H			

Parameter	A grade			
	C - Band		L - Band	
Operating Wavelength (nm)	980 ± 5	1545 ± 15	980 ± 5	1595 ± 15
Maximum Insertion Loss*	0.3 dB	0.3 dB	0.3 dB	0.3 dB
Minimum Isolation	18 dB	18 dB	18 dB	18 dB
Maximum Polarization Dependent Loss	0.10 dB			
Minimum Directivity	50 dB			
Maximum Thermal Stability	0.15 dB			
Minimum Return Loss	50 dB			
Operating Temperature	-20°C ~ 75°C			
Package Dimensions (D × L)	3S ,6L,7H			

\*Insertion loss of connector is not included

\*Dimension refer to ordering information



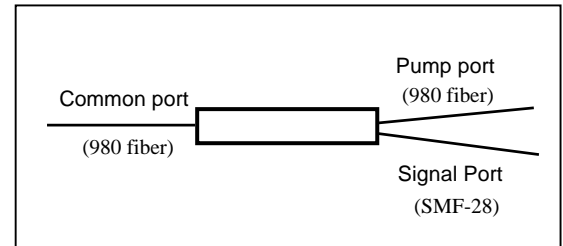
3F, No.30, Industrial E. Rd. IX, Science-Based Industrial  
Park, 300 Hsin Chu, Taiwan R.O.C.  
Tel:+886-3-563-0099 Fax:+886-3-563-0022 886-3-5789243



## QUALIFICATION AND RELIABILITY TEST

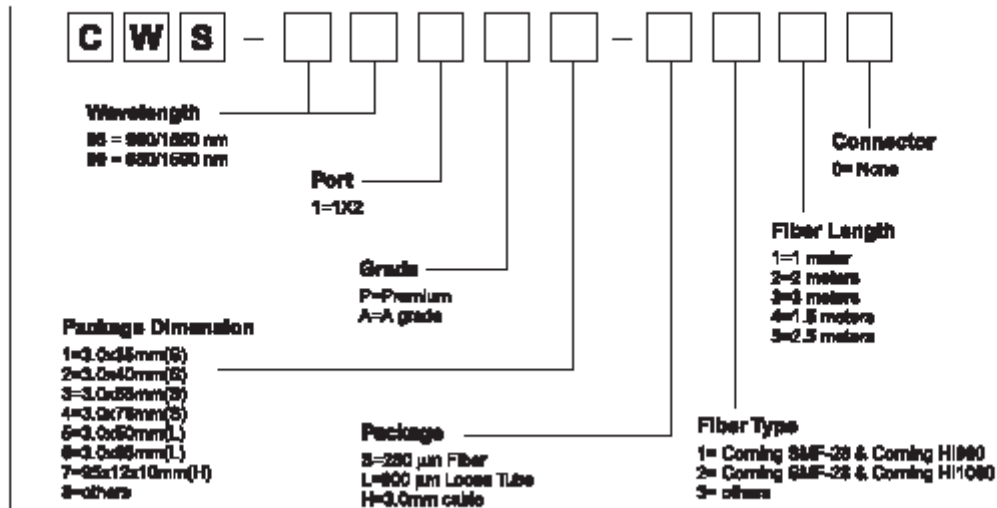
Type of Test	Conditions	Duration
Damp Heat	50 °C and 90% RH	2000 hours
High Temperature Storage	85 °C (±2 °C)	2000 hours
Low Temperature Storage	-40 °C	2000 hours
Water Immersion	43 ± 2 °C, PH 5.5 ± 0.5	168 hours
Vibration	10~2,000 Hz random , 20G	3 axes , for 2 hrs per axis
Side Pull	450g load 90° active	during and after
Impact	1.8 meter high	8 drops
Cable Retention	0.45 kg load	1 min

## I/O Port Definition



## ORDERING INFORMATION

### ORDERING INFORMATION



3F, No.30, Industrial E. Rd. IX, Science-Based Industrial  
 Park, 300 Hsin Chu, Taiwan R.O.C.  
 Tel:+886-3-563-0099 Fax:+886-3-563-0022 886-3-5789243

