

# High Channel Isolation CWDM

## Reflective 3-Port Add/Drop Filter

### DESCRIPTION

Browave's new designed CWDM reflective 3-port device can perform high channel isolation, small size and low cost. This design can also be implemented in some edge filter which need high isolation application.

### FEATURES

- ↓ Excellent channel isolation
- ↓ Low insertion loss
- ↓ High stable and reliable
- ↓ Epoxy-free optical path
- ↓ Low profile packaging
- ↓ Telcordia (Bellcore) Compliant

### APPLICATIONS

- ↓ CWDM systems
- ↓ Metro/Access communication networks
- ↓ Fiberoptic instruments

### SPECIFICATIONS

Parameter	Specification
Channel Center Wavelength	1430-1610 (1431-1611)nm
Channel Spacing	20nm
Min Channel Passband	$c \pm 7.0$ nm
Max Add/Drop Channel Insertion Loss	0.70dB (0.50dB typ.)
Max Add/Drop Channel Insertion Loss Variation	0.30dB
Max Remaining Channel Insertion Loss	0.40dB (0.25dB typ.)
Min Adjacent Channel Isolation	55dB
Min Non-adjacent Channel Isolation	55dB
Min Remaining Channel Isolation	12dB
Max Insertion Loss Temperature Sensitivity	0.20dB
Min Directivity	50dB
Min Return Loss	50dB
Max Polarization Dependent Loss	0.10dB
Max Polarization Mode Dispersion	0.10ps
Max Power Handling	500mW
Max Tensile Load	5N
Operating Temperature	-5 to +70
Storage Temperature	-40 to +85
Package Dimension (DxL)	C : ( )3.2mm*(L)15mm



3F, No.30, Industrial E. Rd. IX, Science-Based Industrial  
Park, 300 Hsin Chu, Taiwan R.O.C.  
Tel:+886-3-563-0099 Fax:+886-3-563-0022 886-3-5789243

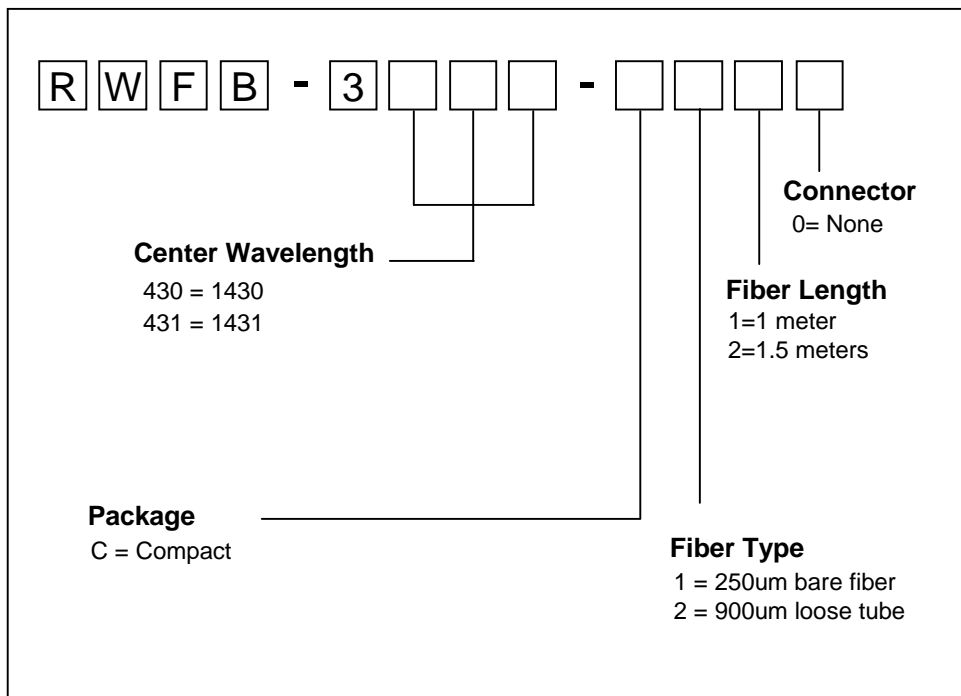


## PHYSICAL DIMENSION

C



## ORDERING INFORMATION



3F, No.30, Industrial E. Rd. IX, Science-Based Industrial  
Park, 300 Hsin Chu, Taiwan R.O.C.  
Tel:+886-3-563-0099 Fax:+886-3-563-0022 886-3-5789243

